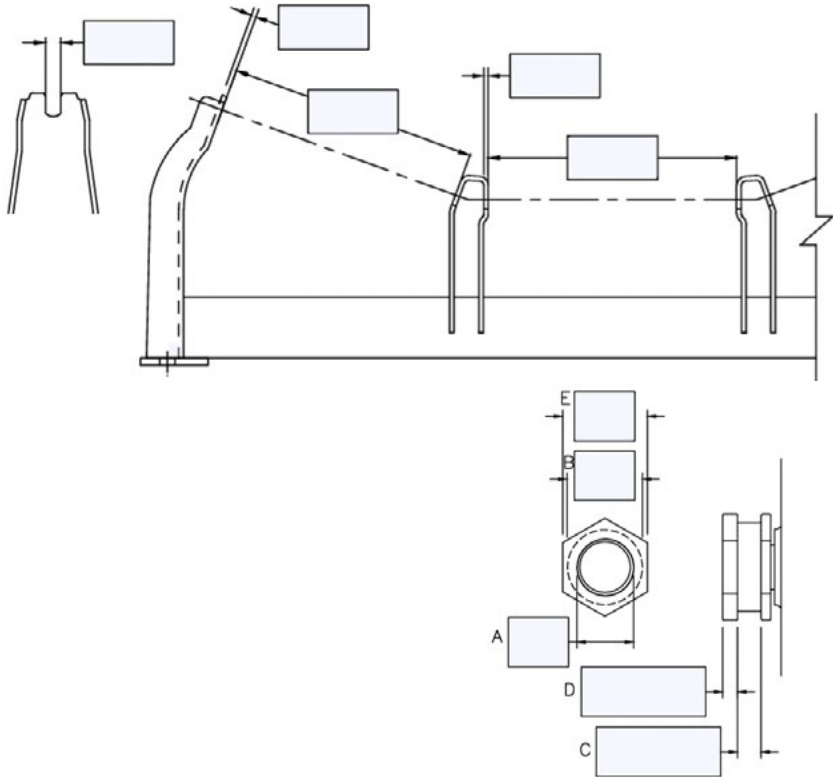


# Retro Roll Data Sheet



Customer: \_\_\_\_\_  
 Location: \_\_\_\_\_  
 Contact: \_\_\_\_\_  
 Phone: \_\_\_\_\_  
 Notes: \_\_\_\_\_  
 \_\_\_\_\_  
 \_\_\_\_\_

TOLERANCES	CEMA SERIES	DIAM.	ANGLE	TYPE	BELT WIDTH	BEARING	WEIGHT	ITEM CLASS	SCALE
Unless Otherwise Specified <b>Decimal</b>	N/A	N/A	N/A	N/A	N/A	N/A	N/A	N/A	UNK
.XX ± .XXX ± .XXXX ± ANGULAR ±1	<b>ASSEMBLY PART NUMBER:</b> N/A			<b>ITEM DESCRIPTION:</b> Retro Data Sheet: Style E with Frame				<b>REV:</b>	<b>DATE:</b>