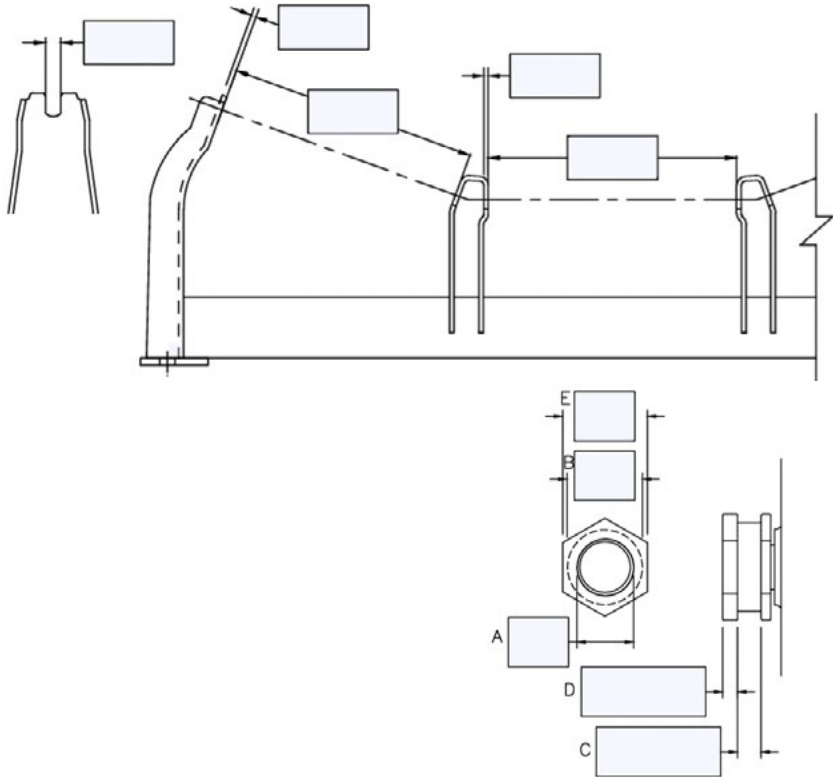


Retro Roll Data Sheet



Customer: _____
 Location: _____
 Contact: _____
 Phone: _____
 Notes: _____

TOLERANCES	CEMA SERIES	DIAM.	ANGLE	TYPE	BELT WIDTH	BEARING	WEIGHT	ITEM CLASS	SCALE
Unless Otherwise Specified Decimal	N/A	N/A	N/A	N/A	N/A	N/A	N/A	N/A	UNK
.XX ± .XXX ± .XXXX ± ANGULAR ±1	ASSEMBLY PART NUMBER: N/A			ITEM DESCRIPTION: Retro Data Sheet: Style D with Frame				REV:	DATE: