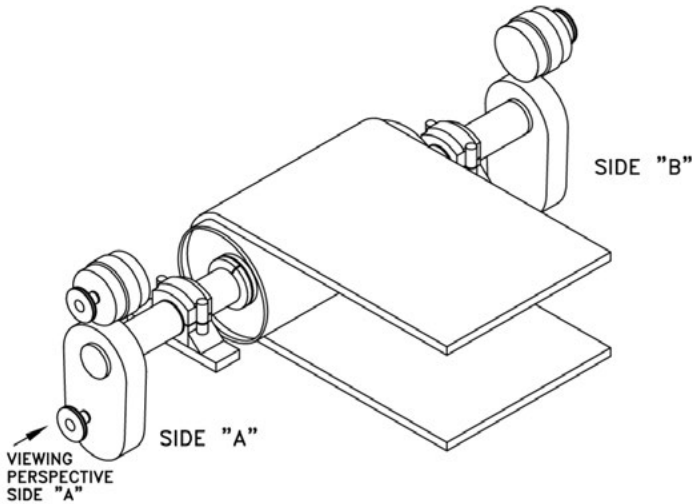
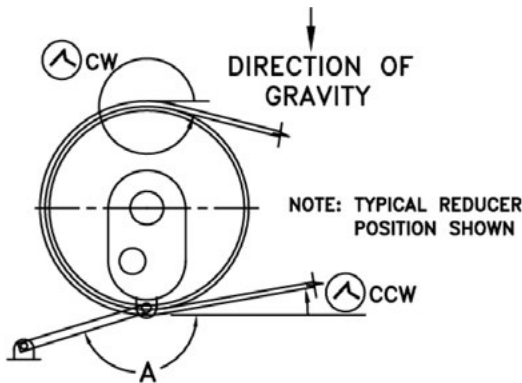


Shaft Mount Drive Assembly Data Sheet



T1: _____
 T2: _____
 Motor HP: _____
 Belt Speed: _____
 Gearbox Model: _____



DATA TAKEN FROM VIEWING PERSPECTIVE "A"

Belt Angle Coming Off Pulley in CW Direction (⌚CW): _____
 Belt Angle Coming Off Pulley in CCW Direction (⌚CCW): _____
 Rotation (CW, CCW, Both): _____
 Torque Arm Angle (A) from Horizontal: _____

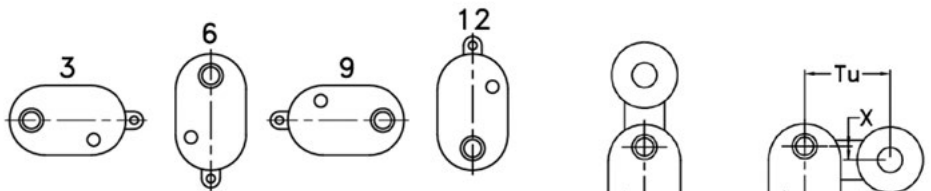


FIG. 2

FIG. 3A

FIG. 3B

DRIVE ASSEMBLY DATA

FIG. 1

	ASSEMBLY SIDE "A"	ASSEMBLY SIDE "B"
Torque Arm Distance (T):	_____	_____
Torque Arm/Bearing Center Distance (To): ...	_____	_____
Motor Weight (Including Brackets):	_____	_____
Reducer Weight:	_____	_____
FIG. 2	_____	_____
Drive at 3, 6, 9, or 12 O'Clock Position	_____	_____
FIG. 3	_____	_____
Is Motor Attached as Per Fig.3 (A, B, or C) ...	_____	_____
If 3B or 3C, Motor Offset (X)	_____	_____
Motor Shaft Distance (Tu)(3B & 3C ONLY)	_____	_____

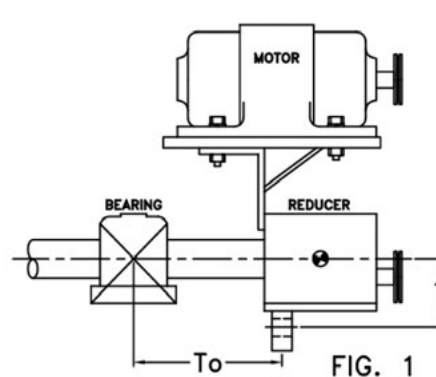


FIG. 1

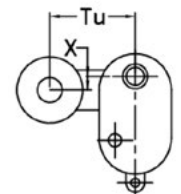


FIG. 3C