

# Non-Drive Center-Mounted Pulley Assembly Data Sheet

**Pulley Diameter (D)** \_\_\_\_\_  
**Face Width (FW)** \_\_\_\_\_  
**Bearing Centers (BC)** \_\_\_\_\_  
**Overall Shaft Length (OAL)** \_\_\_\_\_  
**Shaft Dia @ Bushing (D1)** \_\_\_\_\_  
**Bushing Type & Size** \_\_\_\_\_  
**Shaft Dia @ Bearing (D2)** \_\_\_\_\_  
**Bearing Type & Size** \_\_\_\_\_  
**Shaft Journal Length (J1)** \_\_\_\_\_  
**Shaft Journal Length (J2)** \_\_\_\_\_  
**Right Hand Extension (RHE)** \_\_\_\_\_  
**Left Hand Extension (LHE)** \_\_\_\_\_  
**Lagging Type & Thickness** \_\_\_\_\_  
**Estimated Belt Wrap** \_\_\_\_\_

**Pulley Position:**    Drive Snub    High Tension Bend    Low Tension Take-Up Bend  
                                  Gravity Take-Up    Tail

**Pulley Position:** \_\_\_\_\_

**Company Name** \_\_\_\_\_

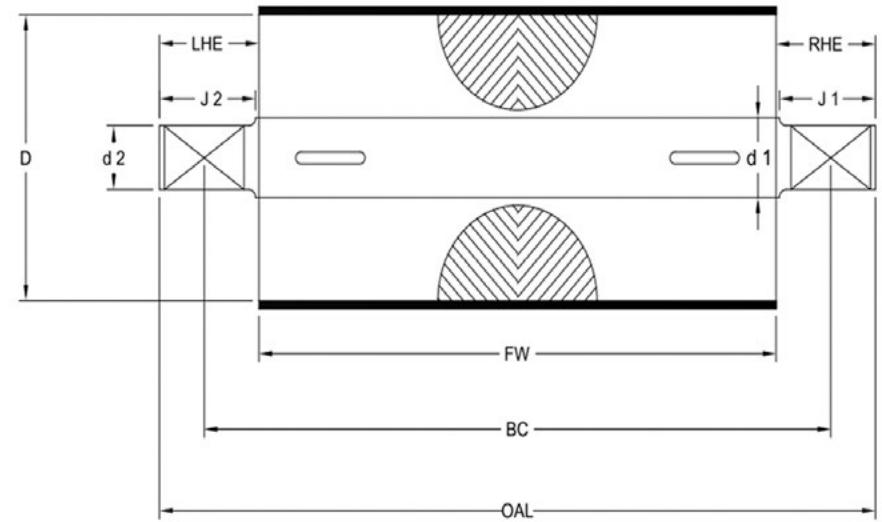
**Location** \_\_\_\_\_

**Contact Name** \_\_\_\_\_

**Phone** \_\_\_\_\_

**Email** \_\_\_\_\_

**Date** \_\_\_\_\_



**NOTES:** \_\_\_\_\_

\_\_\_\_\_

\_\_\_\_\_

\_\_\_\_\_

\_\_\_\_\_

\_\_\_\_\_

\_\_\_\_\_

\_\_\_\_\_

\_\_\_\_\_

\_\_\_\_\_