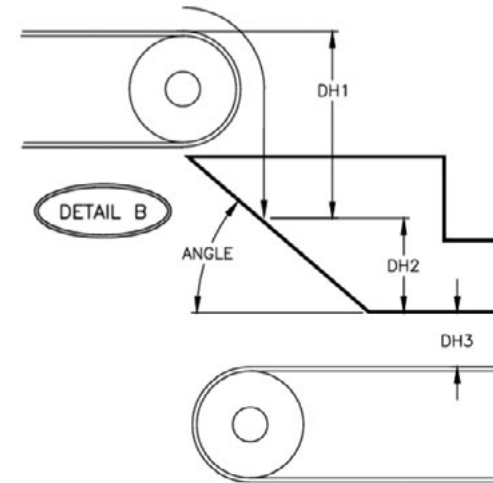
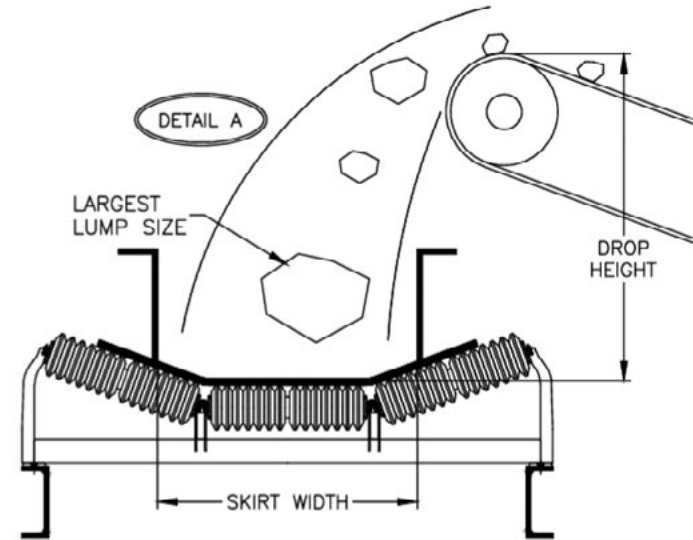
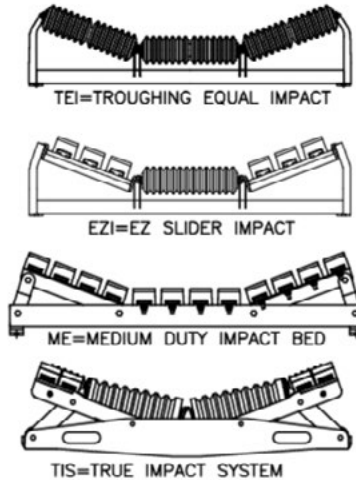


# Impact Idler Selection Data Sheet

Once the information from this data sheet has been reviewed, Davis Industrial's engineers will determine the best impact system for your application.

Material Type: \_\_\_\_\_  
 Material Density (LB/FT<sup>3</sup>): \_\_\_\_\_  
 Largest Lump Size: \_\_\_\_\_  
 "DETAIL A" Drop Height: \_\_\_\_\_  
 "DETAIL B" DH1-DH2-DH3 Angle: \_\_\_\_\_  
 Belt Width: \_\_\_\_\_  
 Trough Angle: \_\_\_\_\_  
 Roll Diameter: \_\_\_\_\_  
 Bed Length: \_\_\_\_\_  
 Skirt Width: \_\_\_\_\_  
 CEMA Series: \_\_\_\_\_



Company Name \_\_\_\_\_  
 Location \_\_\_\_\_  
 Contact Name \_\_\_\_\_  
 Phone \_\_\_\_\_  
 Email \_\_\_\_\_  
 Date \_\_\_\_\_

NOTES: \_\_\_\_\_  
 \_\_\_\_\_