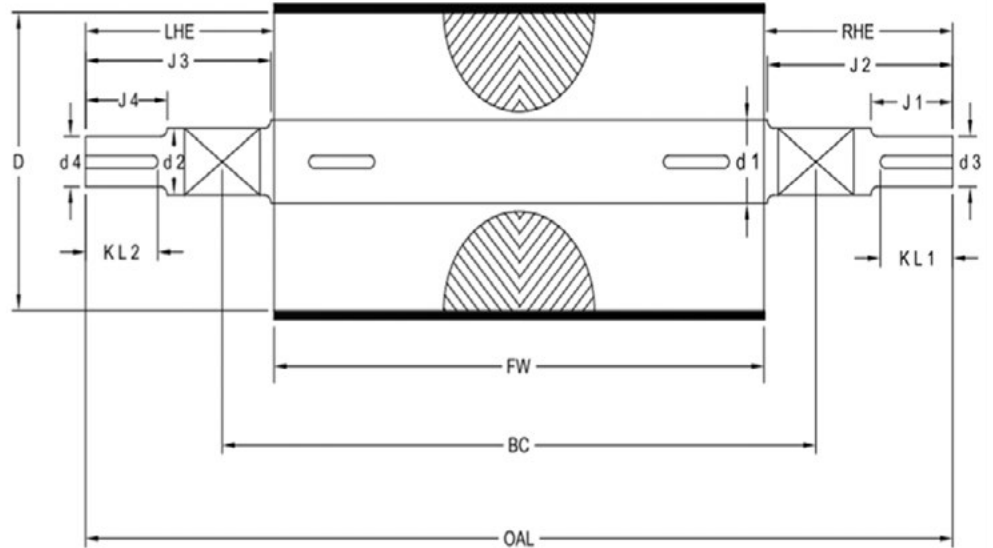


Dual Drive or Drive w/Backstop Pulley Assembly Data Sheet

Pulley Diameter (D) x Face Width (FW) _____
 Bearing Centers (BC) _____
 Overall Shaft Length (OAL) _____
 Shaft Dia @ Bushing (D1) _____
 Bushing Type & Size _____
 Shaft Dia @ Bearing (D2) _____
 Bearing Type & Size _____
 Shaft Dia @ Coupling (D3) _____
 Coupling Type & Size _____
 Shaft Dia @ Coupling or Backstop (D4) _____
 Coupling or Backstop Type & Size _____
 Shaft Journal Length (J1) _____
 Shaft Journal Length (J2) _____
 Shaft Journal Length (J3) _____
 Shaft Journal Length (J4) _____
 Right Hand Extension (RHE) _____
 Left Hand Extension (LHE) _____
 Keyway Length (KL1/KL2) _____
 Direction of Rotation: CW CCW N/A
 Lagging Type & Thickness _____
 Estimated Belt Wrap _____
 Company Name _____
 Location _____
 Contact Name _____
 Phone _____
 Email _____
 Date _____



NOTES: _____

