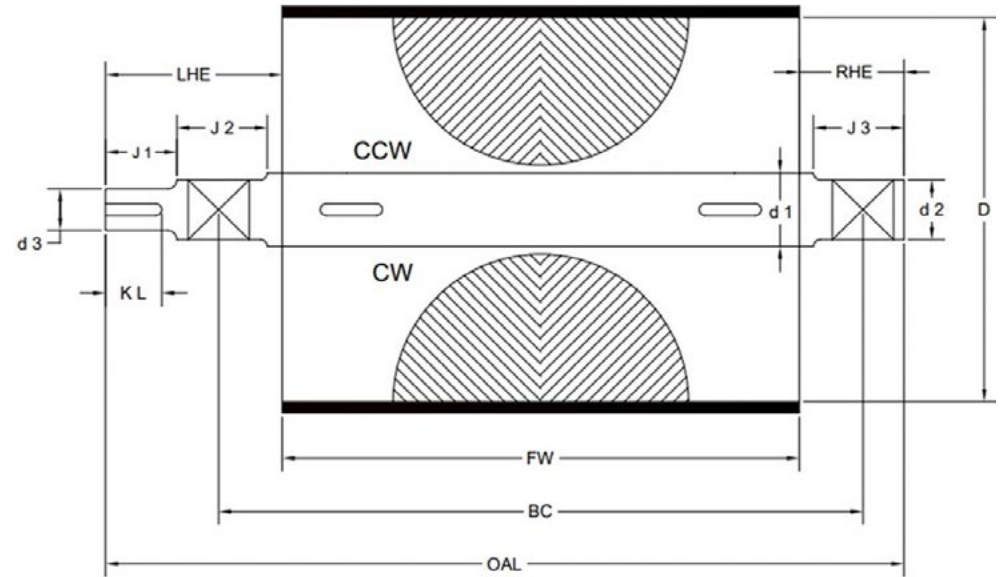


# Drive Pulley Shaft Data Sheet

Pulley Diameter (D) \_\_\_\_\_  
 Face Width (FW) \_\_\_\_\_  
 Bearing Centers (BC) \_\_\_\_\_  
 Overall Shaft Length (OAL) \_\_\_\_\_  
 Shaft Dia @ Bushing (D1) \_\_\_\_\_  
 Bushing Type & Size \_\_\_\_\_  
 Shaft Dia @ Bearing (D2) \_\_\_\_\_  
 Bearing Type & Size \_\_\_\_\_  
 Shaft Journal Length (J1) \_\_\_\_\_  
 Shaft Journal Length (J2) \_\_\_\_\_  
 Shaft Journal Length (J3) \_\_\_\_\_  
 Right Hand Extension (RHE) \_\_\_\_\_  
 Left Hand Extension (LHE) \_\_\_\_\_  
 Keyway Length (KL) \_\_\_\_\_  
 Direction of Rotation:    CW    CCW    N/A  
 Lagging Type & Thickness \_\_\_\_\_  
 Estimated Belt Wrap \_\_\_\_\_

Company Name \_\_\_\_\_  
 Location \_\_\_\_\_  
 Contact Name \_\_\_\_\_  
 Phone \_\_\_\_\_  
 Email \_\_\_\_\_  
 Date \_\_\_\_\_



NOTES: \_\_\_\_\_

\_\_\_\_\_

\_\_\_\_\_

\_\_\_\_\_

\_\_\_\_\_

\_\_\_\_\_

\_\_\_\_\_

\_\_\_\_\_

\_\_\_\_\_