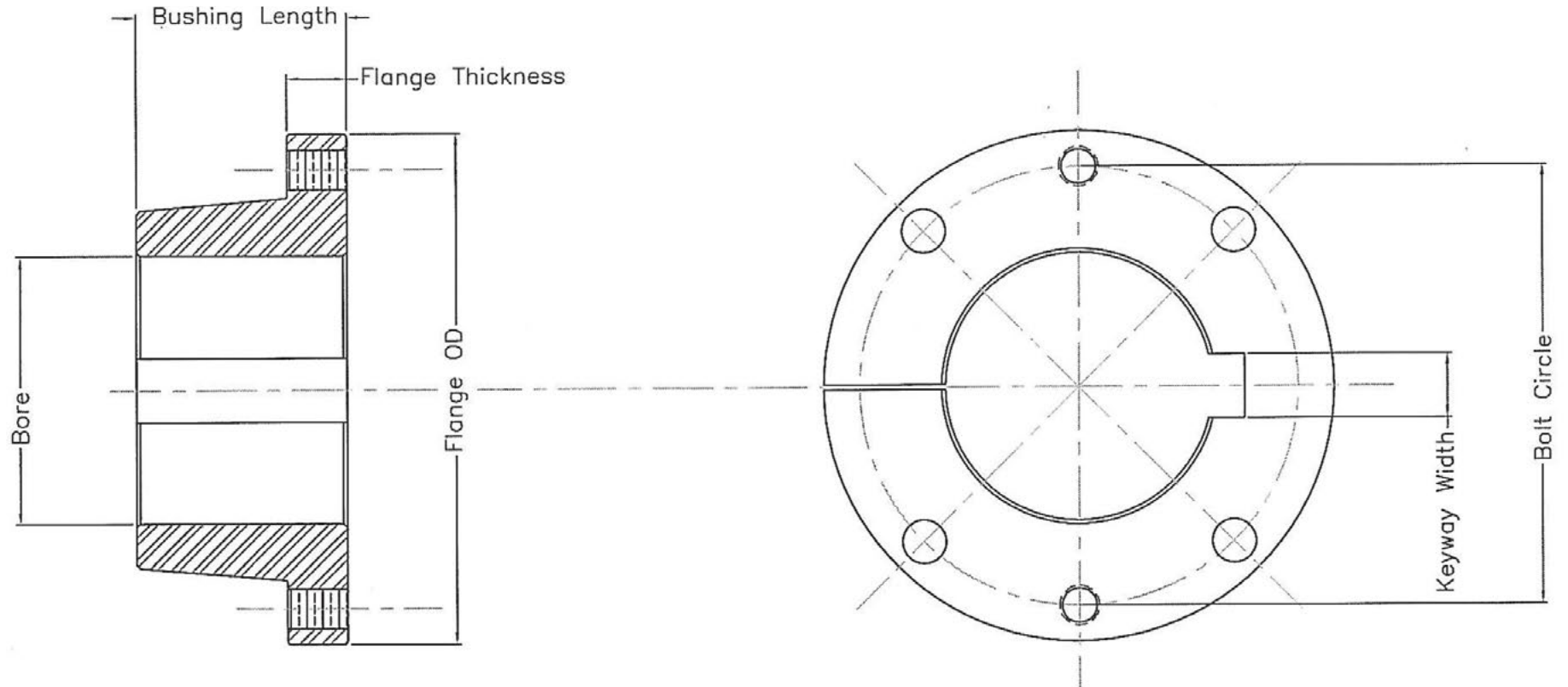


Bushing Dimensions Form



Number of Bolts: _____ **Flange OD:** _____
Bolt Diameter: _____ **Flange Thickness:** _____
Bolt Circle: _____ **Bushing Length:** _____
Keyway Width: _____ **Bushing Bore:** _____